



YLI ELECTRONIC



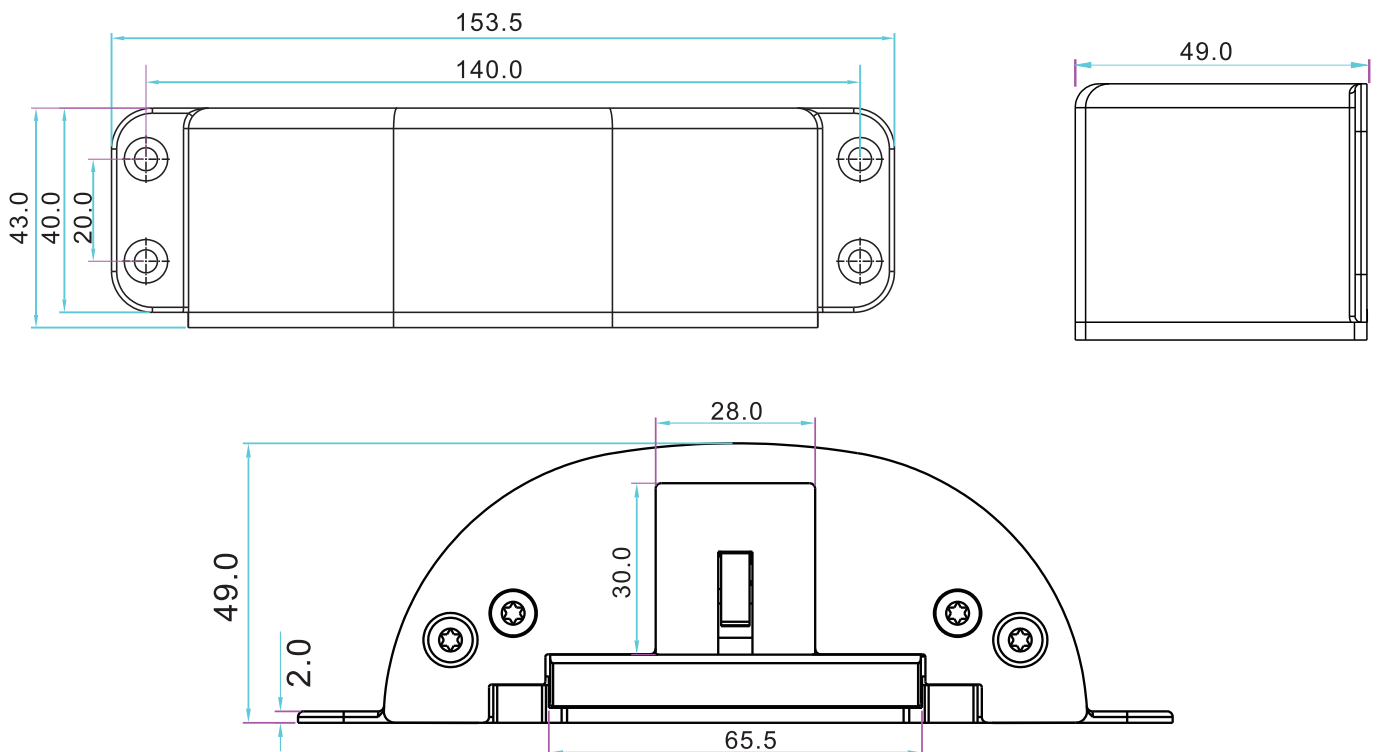
Electric Strike for Push Bar

Model:YS-622-S

Specification

| | |
|----------------|---|
| Dimension | 153.5Lx43Wx49H(mm) |
| Voltage | 12V/320mA(24V need order) |
| Bolt Material | Harden 304 Stainless Steel |
| Feature | Fail Safe / Fail Secure adjustable |
| Signal Output | Door sensor(NO/NC/COM) |
| Suitable for | European & American fire push bar |
| Special design | Applies to all brands of fire push rod lock |
| Durable design | Mechanical test: 1, 000, 000 times |
| Door Swing | 90 degrees |
| Weight | 0.52kg |

Diagram(unit:mm)

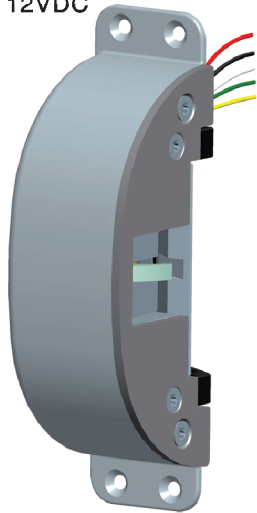


Signal Output

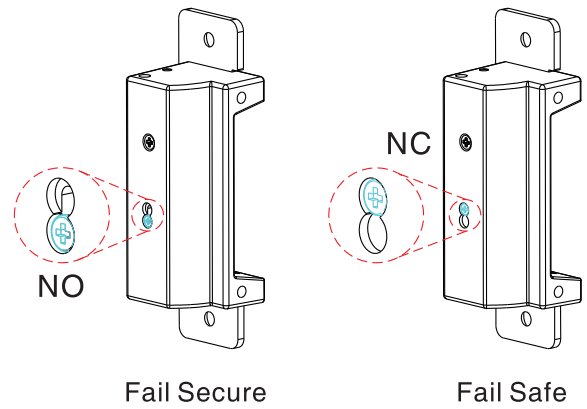
N.C. contact or access relay for fail safe setting.
 N.O. contact or access relay for fail secure setting.

Door Status
 Green: NO
 White: COM
 Yellow: NC
 N.C. contact output : open status
 N.O. contact output : closed status

Red: +
 Black: -
 12VDC



Function Conversion

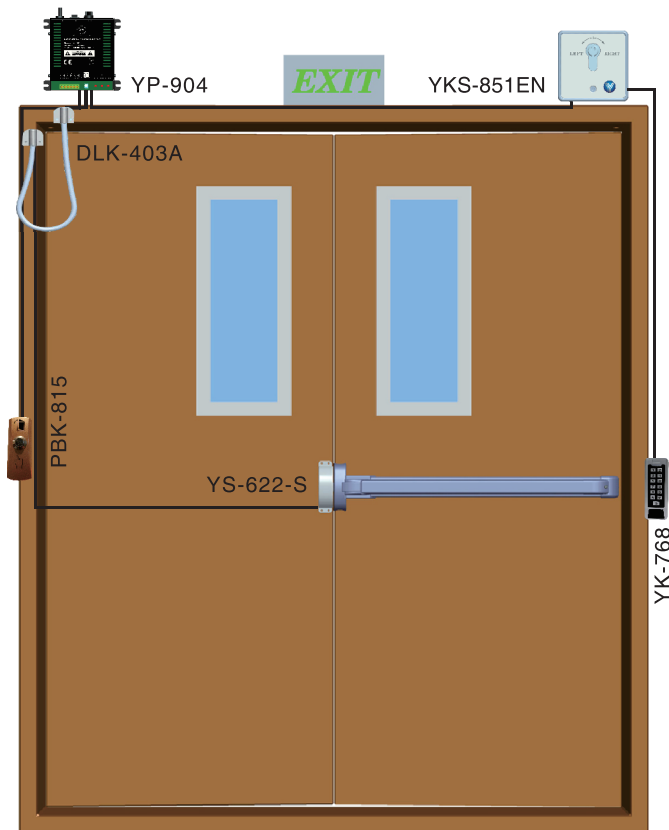


You can set the operation mode of Fail Safe or Fail Secure.

Loose the screw and tighten it in the other hole.
 Fail Safe(NC): When power off, the door is in the open status.

Fail Secure(NO): When power off, the door is in the closed status.

Installation Diagram



Overall Dimensions

